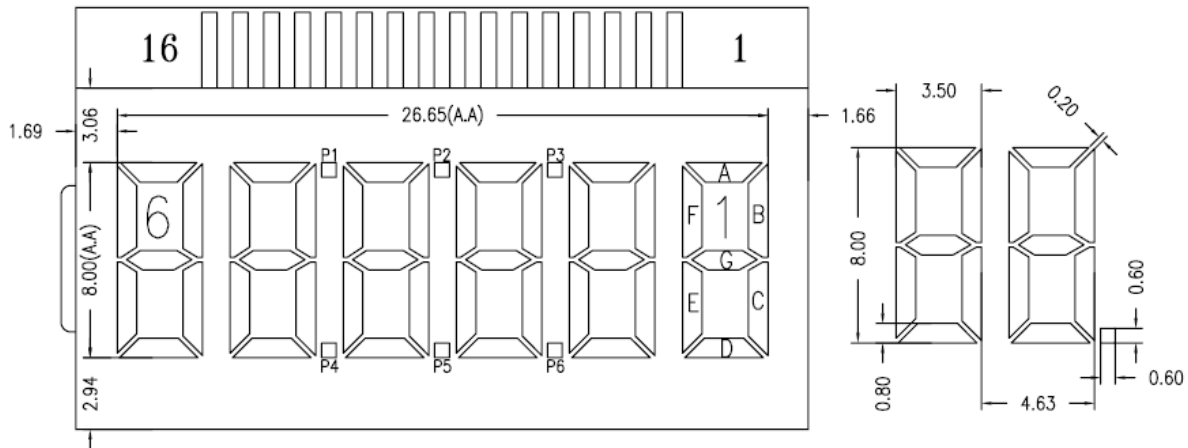
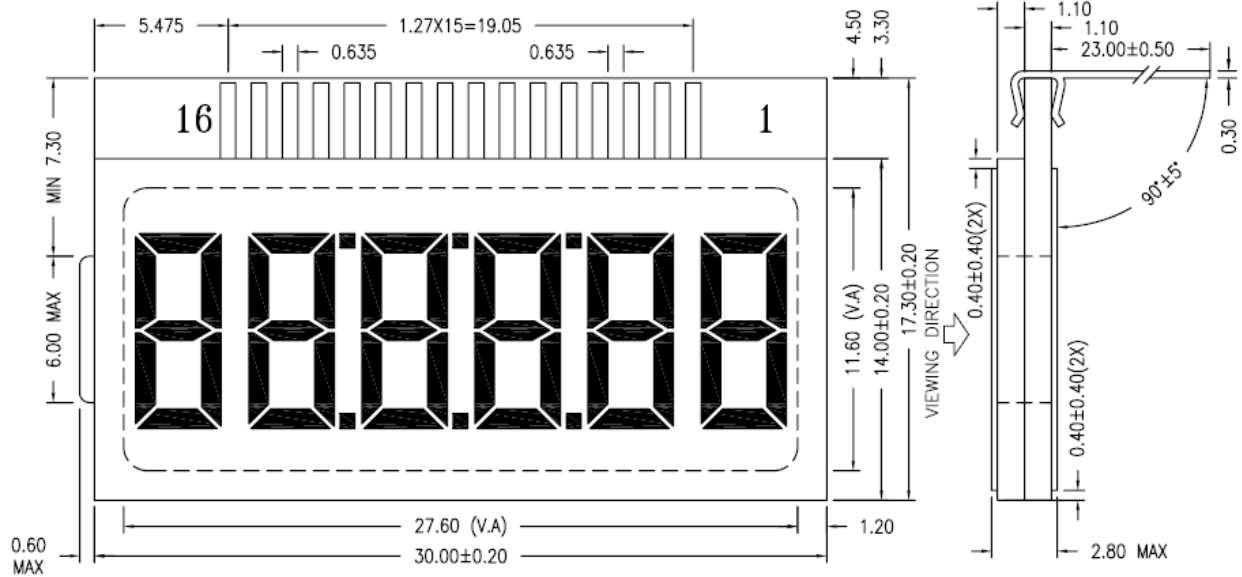


PRODUCT SPECIFICATION

Part Number **PC6010-O**



PIN	1	2	3	4	5	6	7	8	9	10	11	12	13	14	15	16
COM1	1A	P6	2A	P3	3A	P2	4A	P1	5A	P4	6A	P5	COM1			
COM2	1B	1F	2B	2F	3B	3F	4B	4F	5B	5F	6B	6F		COM2		
COM3	1C	1G	2C	2G	3C	3G	4C	4G	5C	5G	6C	6G			COM3	
COM4	1D	1E	2D	2E	3D	3E	4D	4E	5D	5E	6D	6E				COM4

NOTES:

- | | | | |
|-----------------------|---------------------|-----------------------|------------|
| 1. DISPLAY TYPE: | TN | 5. OPERATING VOLTAGE: | 3.0 V |
| 2. VIEWING DIRECTION: | 6:00 | 6. OPERATING TEMP: | 0°C~70°C |
| 3. POLARIZER MODE: | POSITIVE/REFLECTIVE | 7. STORAGE TEMP: | -10°C~80°C |
| 4. DRIVER METHOD: | 1/4 DUTY 1/3 BIAS | 8. CONNECTOR: | PIN |

